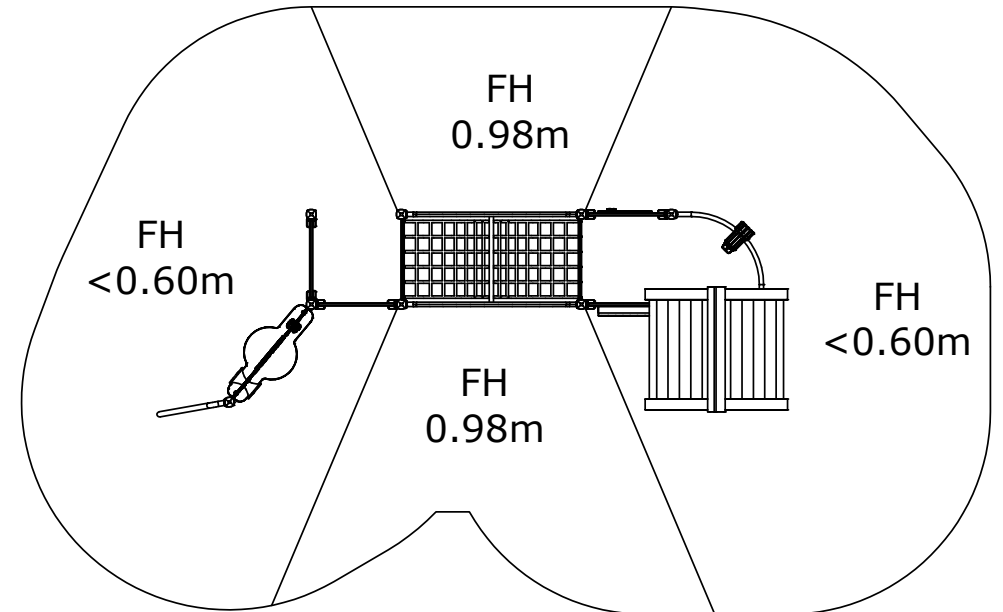
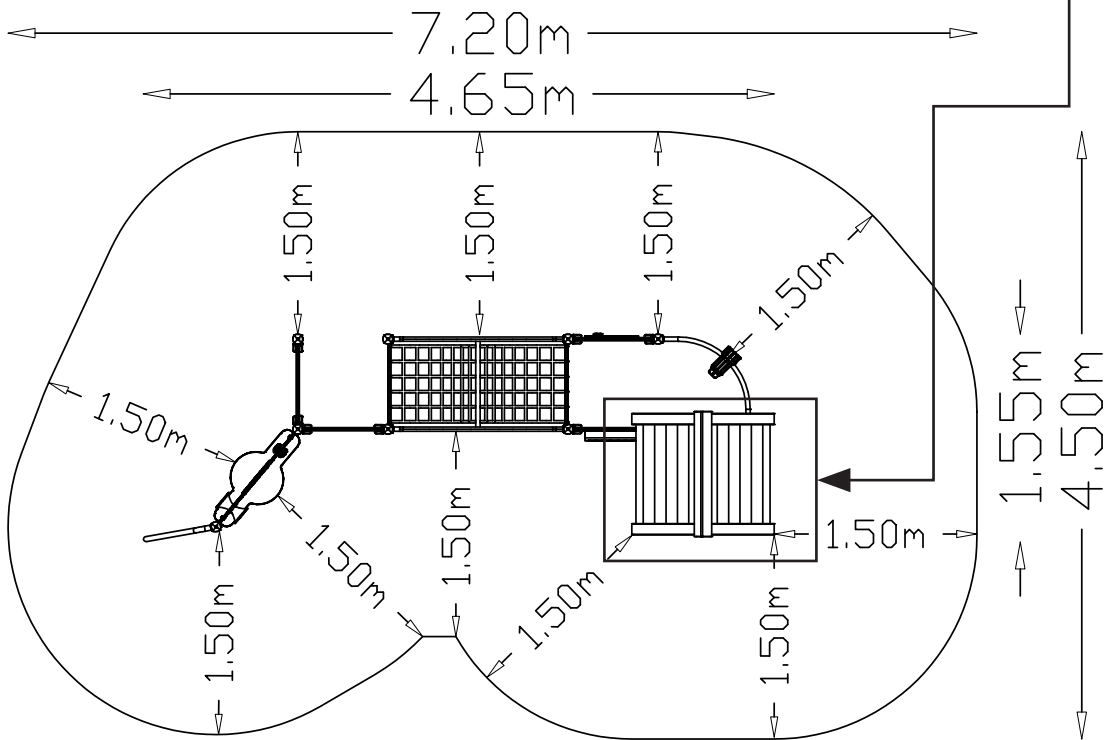
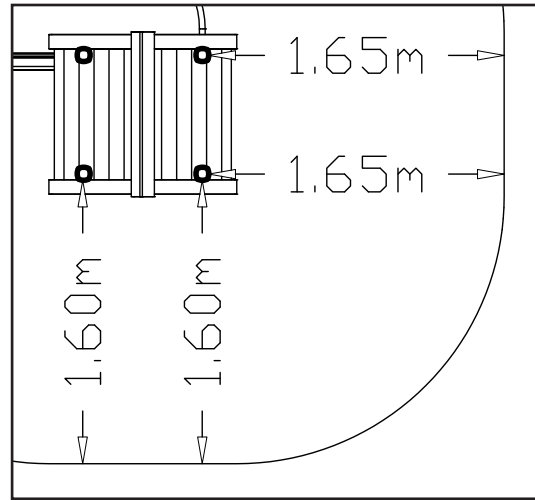
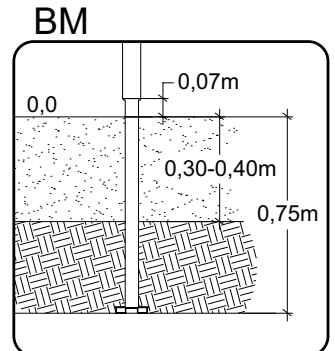
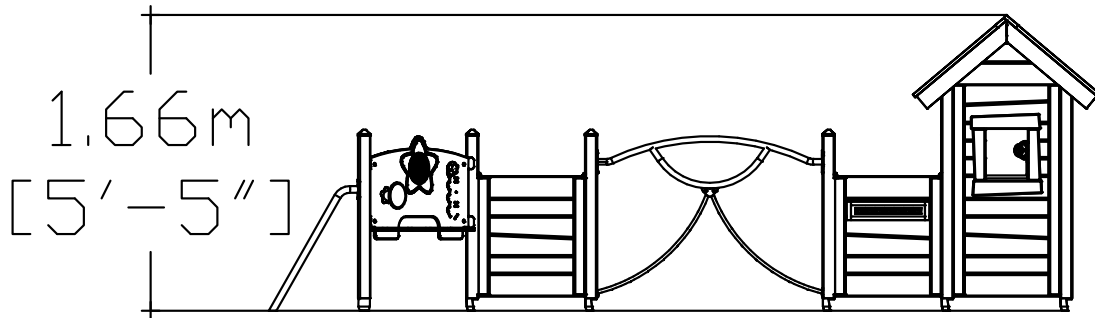
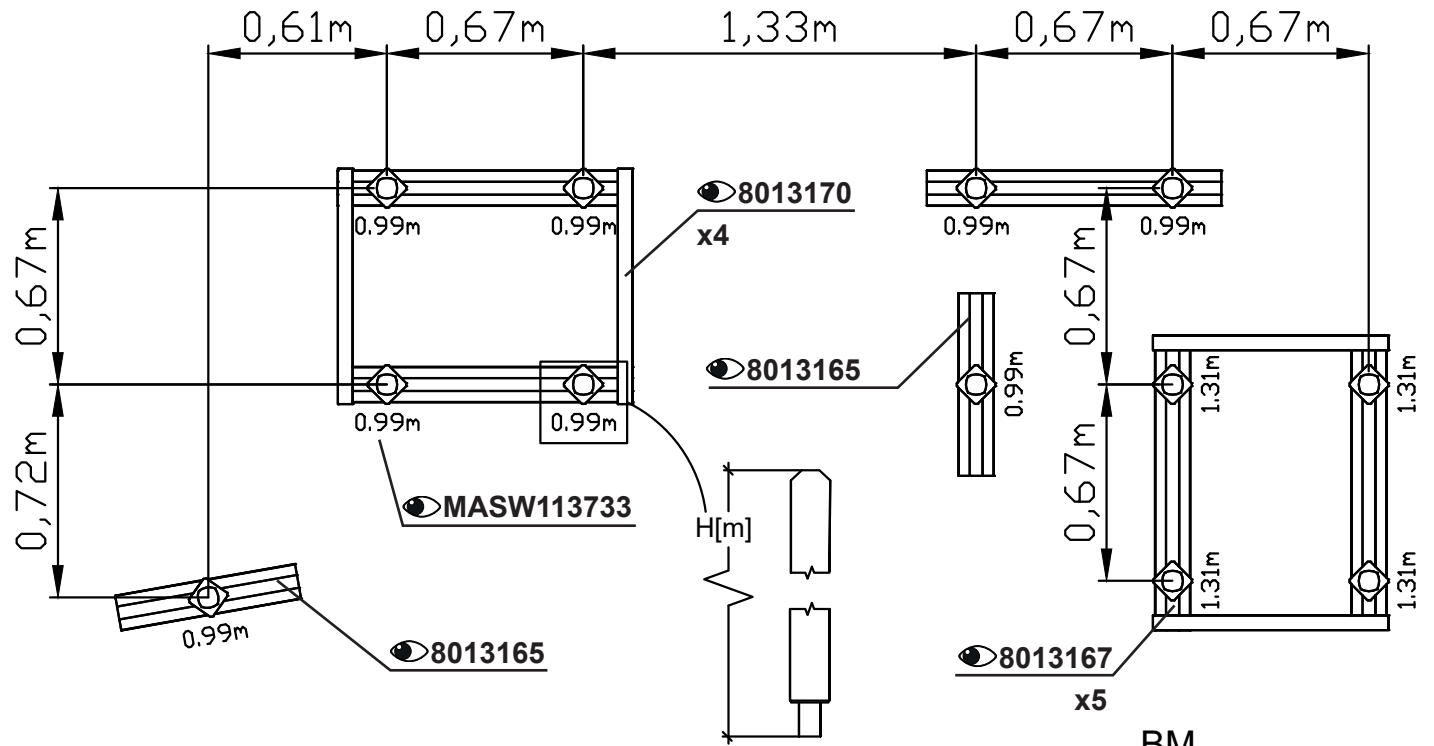
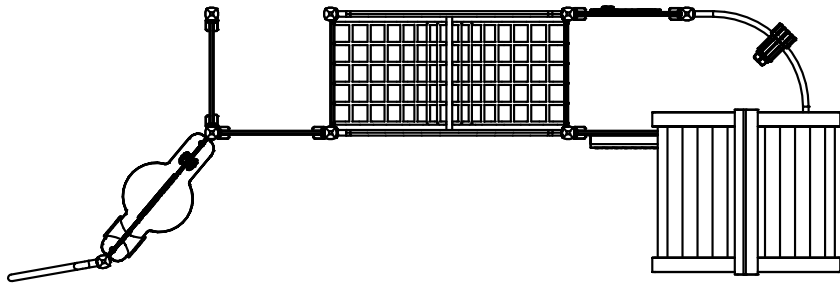
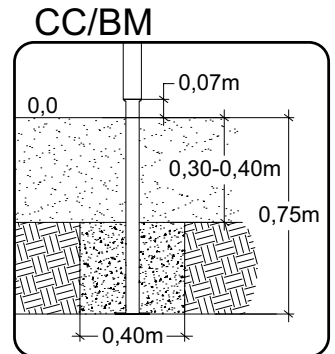
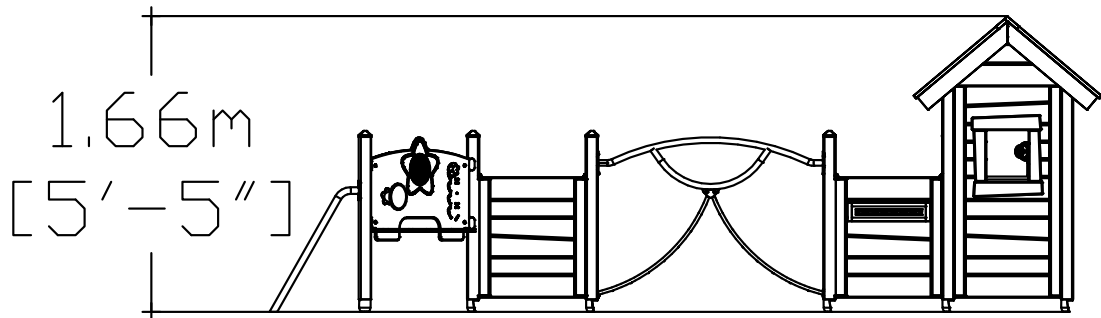
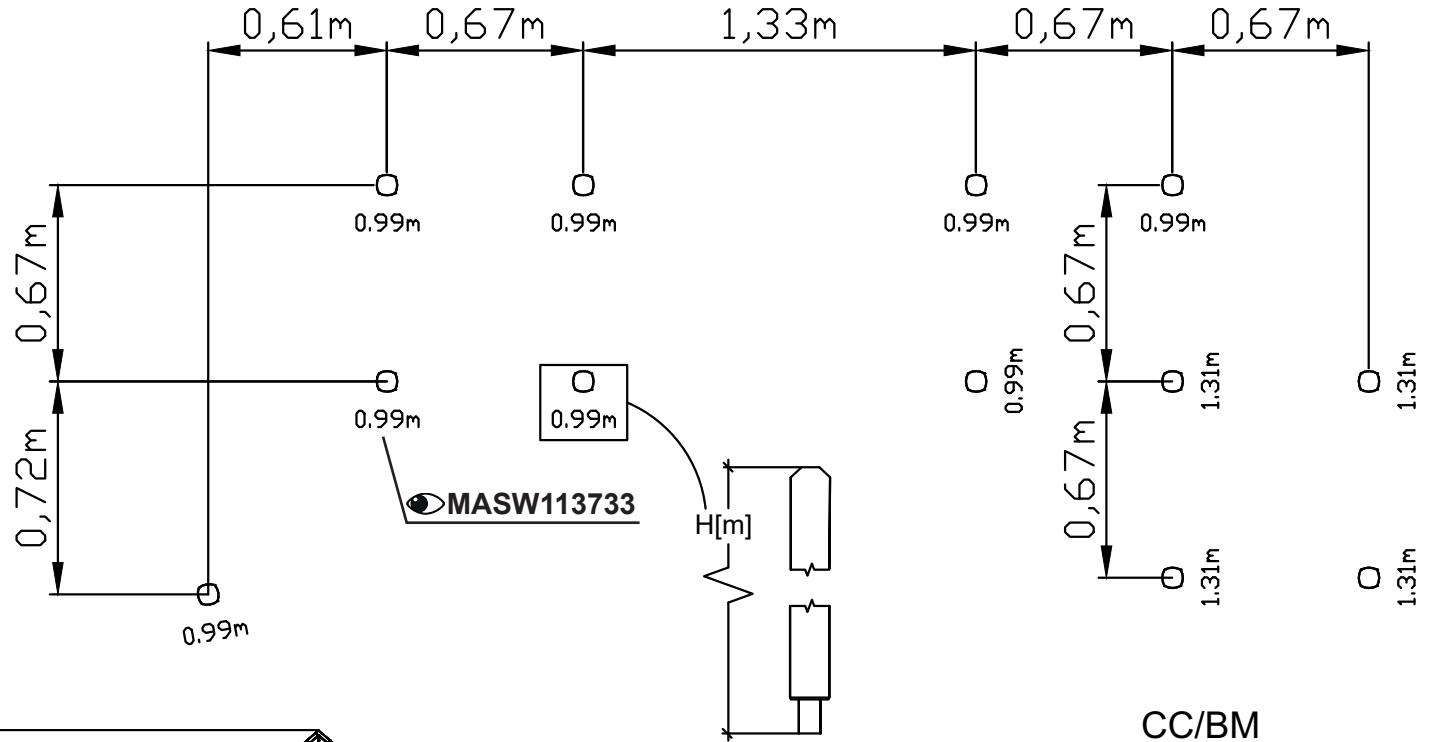
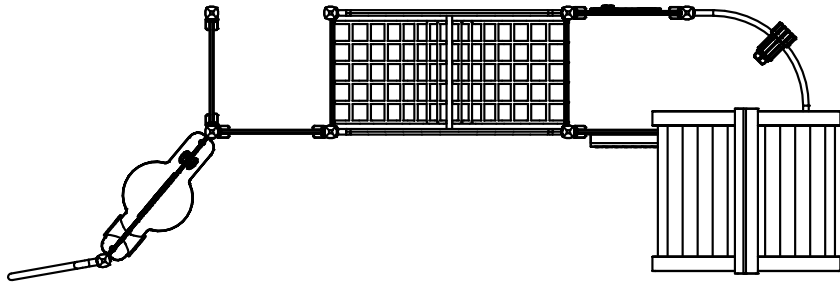
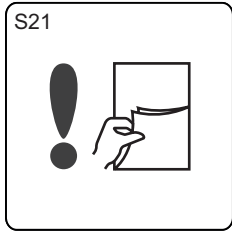


EN1176









Install 101

6099

6706

6762

6942

6954

260329

620913

693812

MASW113733

MASW35156

MASW39346

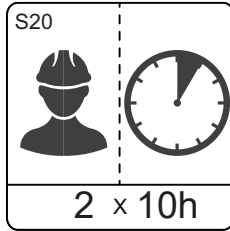
MASW39352

MASW39514

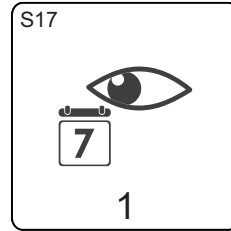
MASW118334

MASW118995

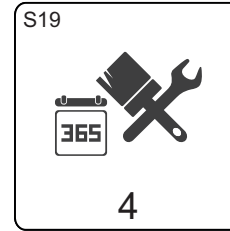
MAUSW118745



2 x 10h

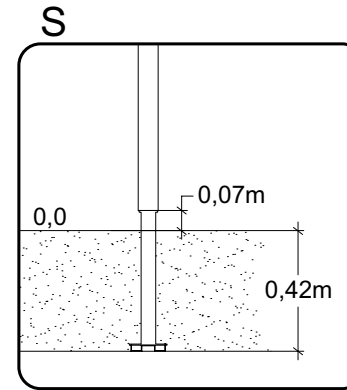


1

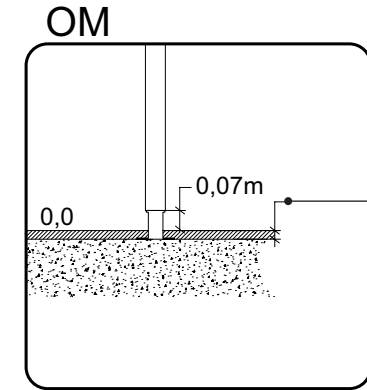


4

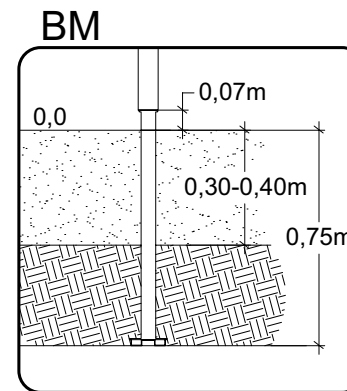
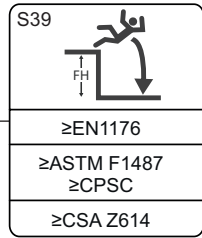
MASW113733



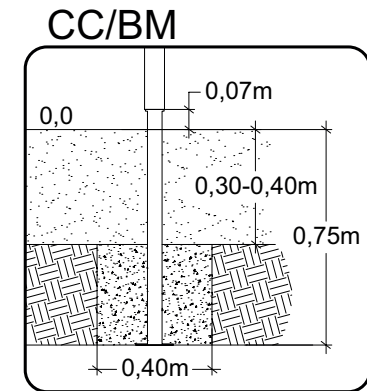
S
Sunken Foundation



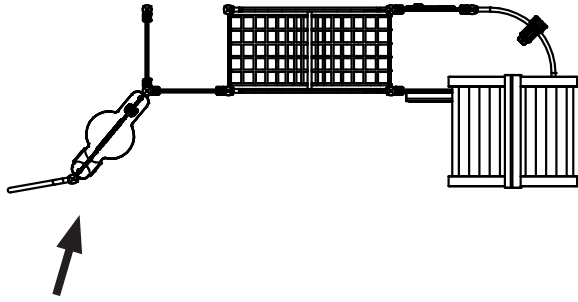
OM
Above Ground



BM
Loosefill
8112130

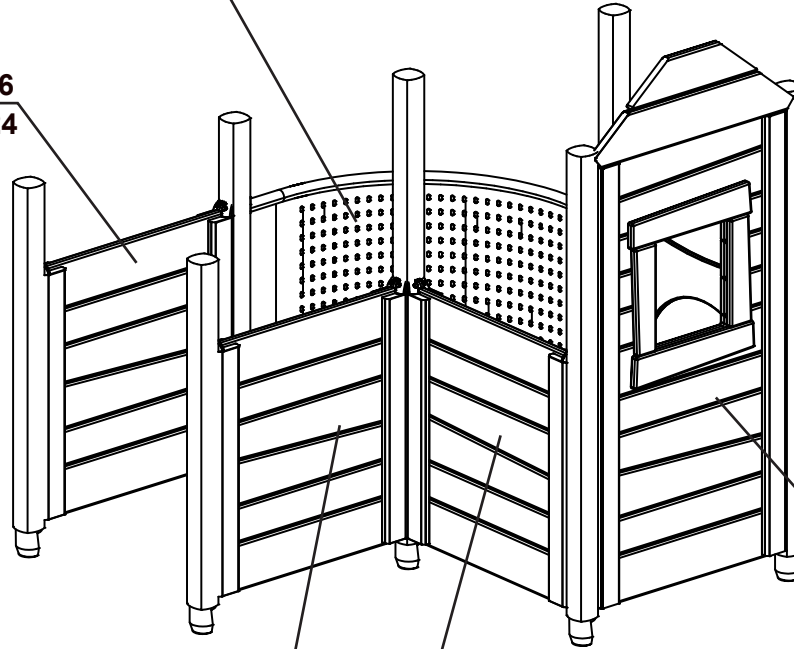


CC/BM
Cast Loosefill
8112130



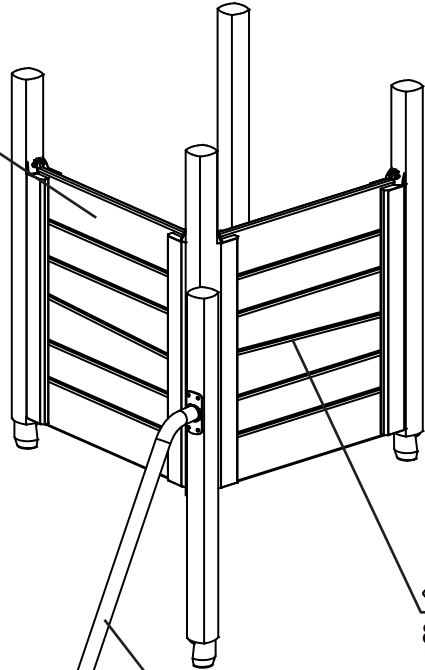
MAUSW118745

MASW39346
8047524



MASW39514
8047614

MASW39346
8047524



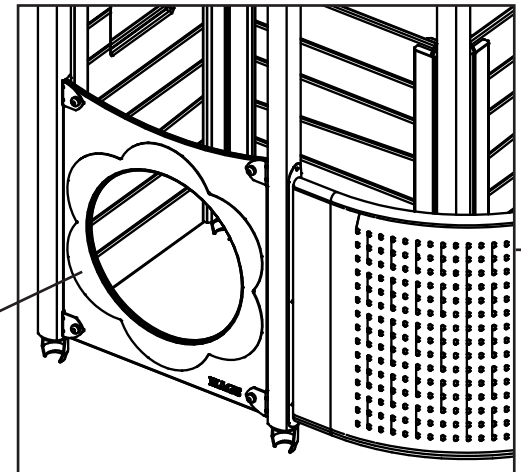
MASW39346
8047524

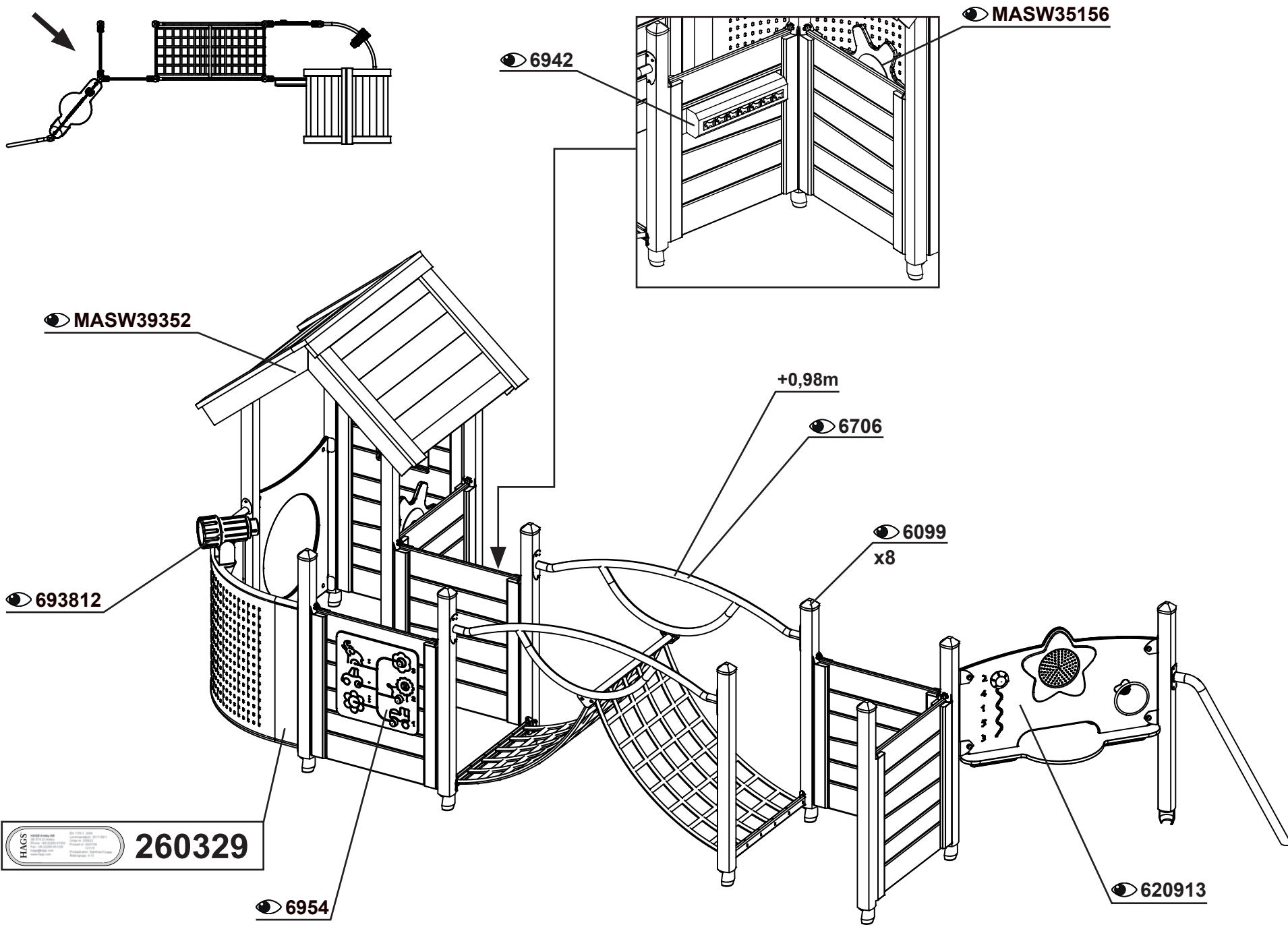
MASW39346
8047524

MASW39346
8047524

MASW118334 [BM]
MASW118995 [OM]

6762
8046316





HAGS
 260329